



Manchester

(Model 8330)

Pellet Stove



**Illustrated
Parts List**

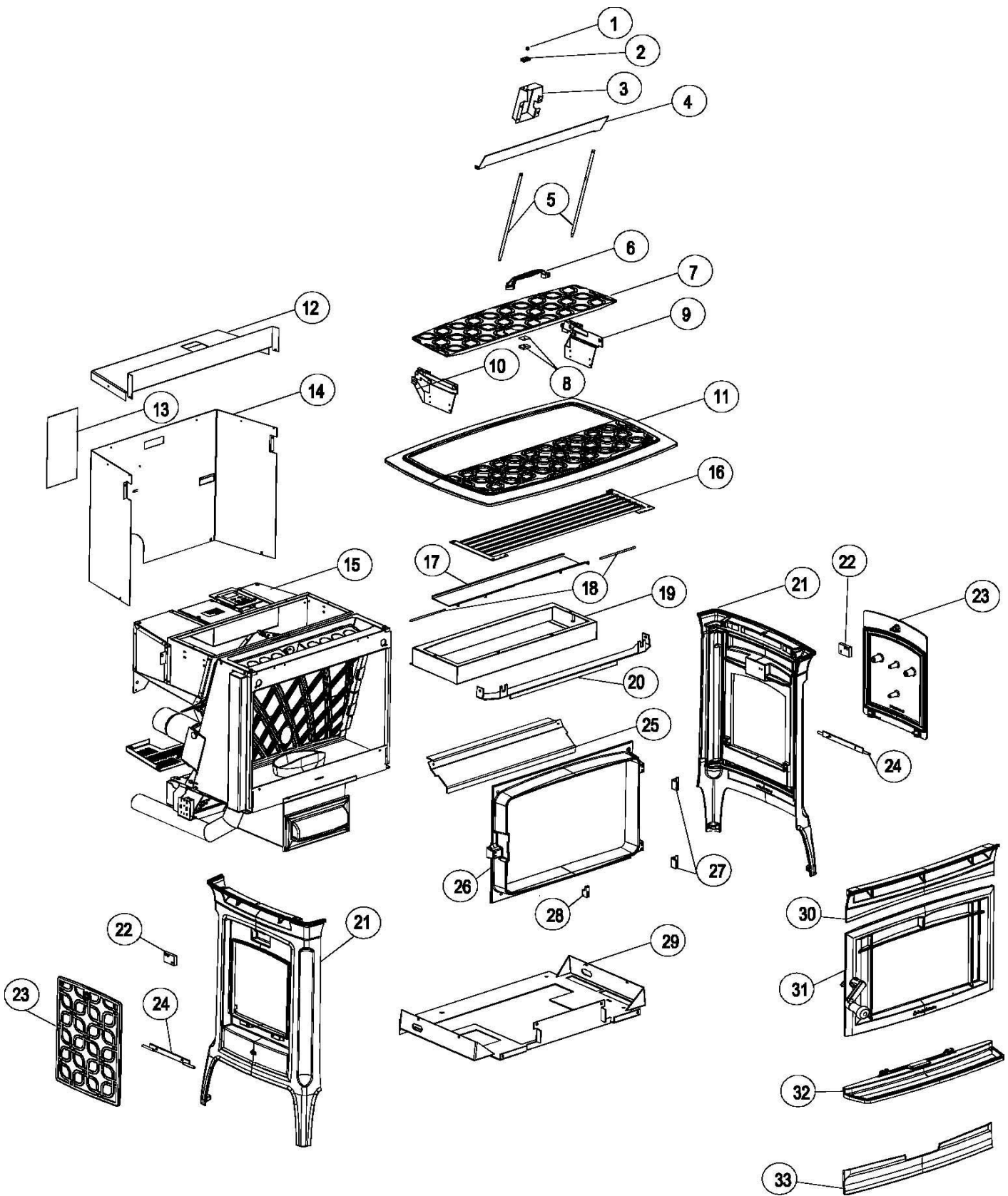
Production Dates: June, 2011 -

Serial Number: 001001 –

Please refer to the owner's manual before and after servicing this pellet fuel burning room heater. To reduce the risk of fire, follow all instructions. Failure to follow these instructions could result in property damage, bodily injury, or even death.



Hearthstone Quality Home Heating Products, Inc.
www.hearthstonestoves.com
inquiry@hearthstonestoves.com



Manchester 8330 - Exploded View

ILLUSTRATED PARTS LIST

Key	Part Number	Description
1	7000-170	GROMMET:1/16"PANELX5/32"ID,1/4"HOLE,PEL
2	7300-020	SENSOR: HOPPER SAFETY, PEL
3	5330-040	HOPPER: CABLE CHANNEL, MCP
4	5330-050	LOUVER: EXTENSION, MCP
5	5330-045	ROD: HEAT EXCHANGER CLEANING, MCP
6	2101-997	HANDLE: LOAD DOOR, MATTE
7	2310-305	SENSOR: HOPPER SAFETY
8	4700-0795	MAGNET: VALVE DOOR,TUC/SAN/WIN
9	5330-026	HINGE: HOPPER DOOR, RIGHT,MCP
10	5330-025	HINGE: HOPPER DOOR, LEFT,MCP
11	2310-300	TOP: MATTE, MCP
12	5909-091	REAR PANEL: TOP, MCP
13	3300-639	LABEL: SAFETY/RATING, HEP
14	5909-089	REAR PANEL: BACK/SIDES, MCP
15	Assm. A	ENGINE ASSM.
16	5090-070	LOUVER: CIRCULATION AIR,HEP
17	5330-030	DOOR: SECONDARY HOPPER,MCP
18	5090-071	PIN:HINGE, SECONDARY HOPPER DOOR,HEP
19	5330-020	EXTENSION: HOPPER,MCP
20	5330-010	BRACKET: FRONT, MCP
21	2310-645	SIDE: WITH DOOR OPENING, MATTE, MCR
22	5933-000	LOCK: SIDE DOOR,MCR/MCP
23	2310-620	DOOR: SIDE,MATTE, REV1, MCP,(DNR)
24	5360-058	HINGE: SIDE DOOR, MCR/MCP
25	5330-035	AIR WASH, MCP
26	2310-310	FRAME: DOOR, FRONT, MCP
27	5360-050	HINGE: FRONT DOOR WITH PIN, MCR/MCP
28	5491-045	CATCH: DOOR LATCH, CLY 1
29	5330-005	BASE PLATE: MCP
30	2310-650	GRILL: FRONT, MATTE, MCR
31	Assm. H	FRONT DOOR ASSM.
32	2310-660	ASH LIP: MATTE, MCR
33	2310-655	HANDLE: ASH DOOR,MATTE, MCP

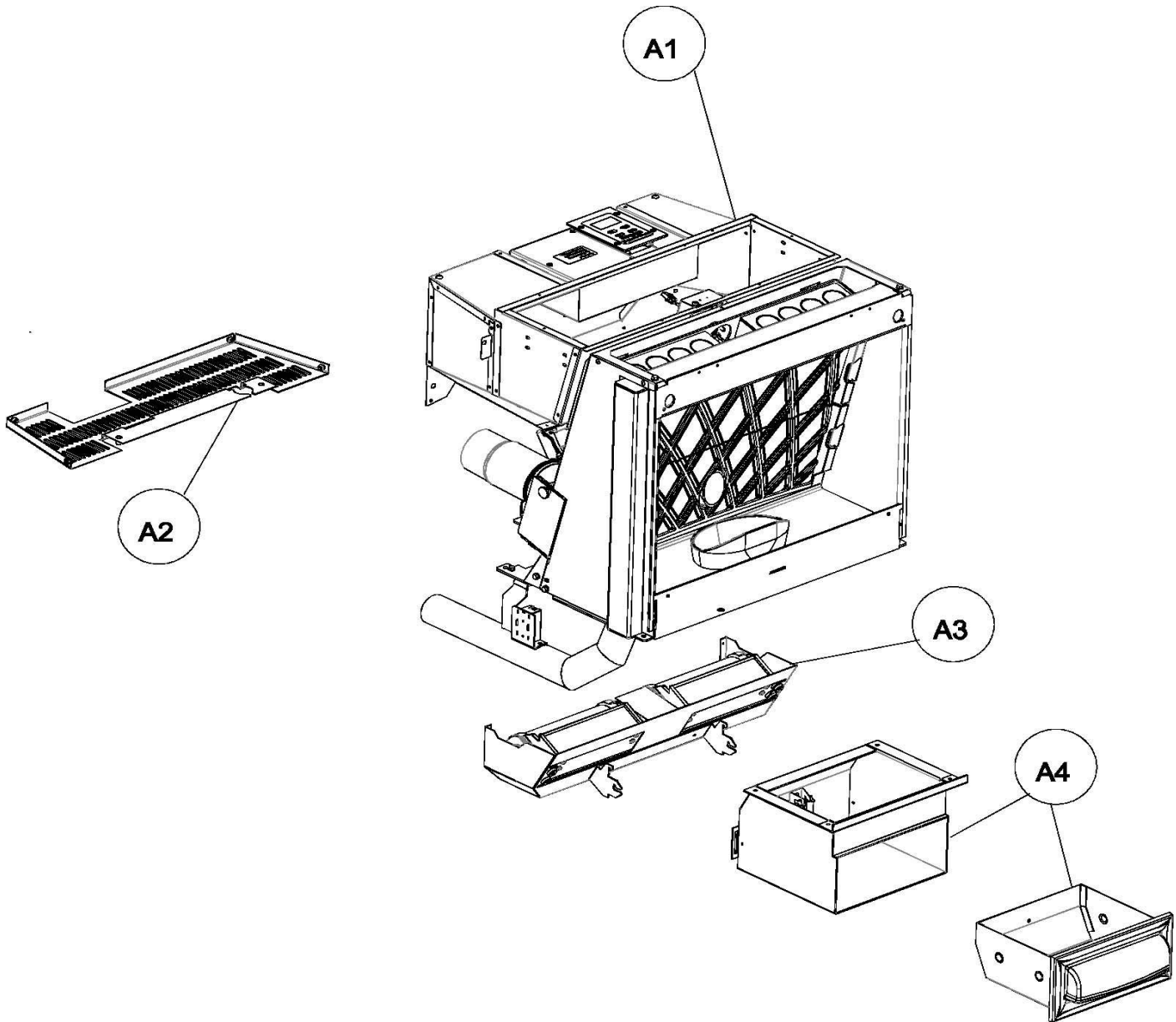


Figure 1 - Manchester 8330 Major Components

Assembly A		
Key	Part Number	Description
	3909-100	ENGINE ASSEMBLY, INCLD. ALL OF THE PARTS BELOW
A1	Assm. B	ENGINE SUB ASSEMBLY
A2	5909-090	REAR PANEL: BOTTOM
A3	Assm. I	ROOM BLOWER ASSEMBLY
A4	Assm. F	ASH BOX ASSEMBLY

Assembly B

Key	Part Number	Description
B1	7300-010	CONTROL BOARD ASSM. <i>WITH BRACKET 5909-350</i>
B2	7300-000	MOTHERBOARD
B3	7300-025	TEMPERATURE SAFETY LIMIT SWITCH
B4	NA	FUSE HOLDER (PART OF HARNESS 7000-034)
B5	7211-967	EXHAUST FAN MOTOR
B6	4700-0660	HOSE CLAMP: 12MMWX70-90DIA
B7	5909-340	EXHAUST GAS PIPE
B8	5909-070	EXHAUST FAN HOUSING
B9	Assm. C	AUGER ASSM.
B10	Assm. G	HOPPER ASSM.
B11	5909-255	SENSOR WIRE CONDUIT
B12	5909-016	COMBUSTION CHAMBER
B13	5909-345	PRESSURE PLATE
B14	5909-325	HEAT EXCHANGER HEAT SHIELD
B15	7300-030	SENSOR: FLAME THERMOCOUPLE
B16a	5909-336	PLENUM: LEFT CONVECTION AIR
B16b	5909-337	PLENUM: RIGHT CONVECTION AIR
B17	3160-392	GASKET: 3/8"X 1/8"FLAT, KNIT BLK, 1/4"AD SP
B18	5909-020	SIDE COMBUSTION COVER
B19	4500-4695	KNURLED THUMB SCREW
B20	7300-005	AIR FLOW SENSOR
B21	5909-061	AIR INLET PIPE
B22	5909-095	IGNITER FERRULE
B23	2910-002	BURN POT
B24	Assm. E	LOWER BAFFLE ASSM.
B25	Assm. D	UPPER BAFFLE ASSM.
B26	5909-260	HOPPER BULB CLIP
B27	7300-015	IGNITER ELEMENT (with spade terminals installed 90-99022)
B28	3160-397	INLET TUBE GASKET
NA	7000-034	WIRING HARNESS - (Not Shown)

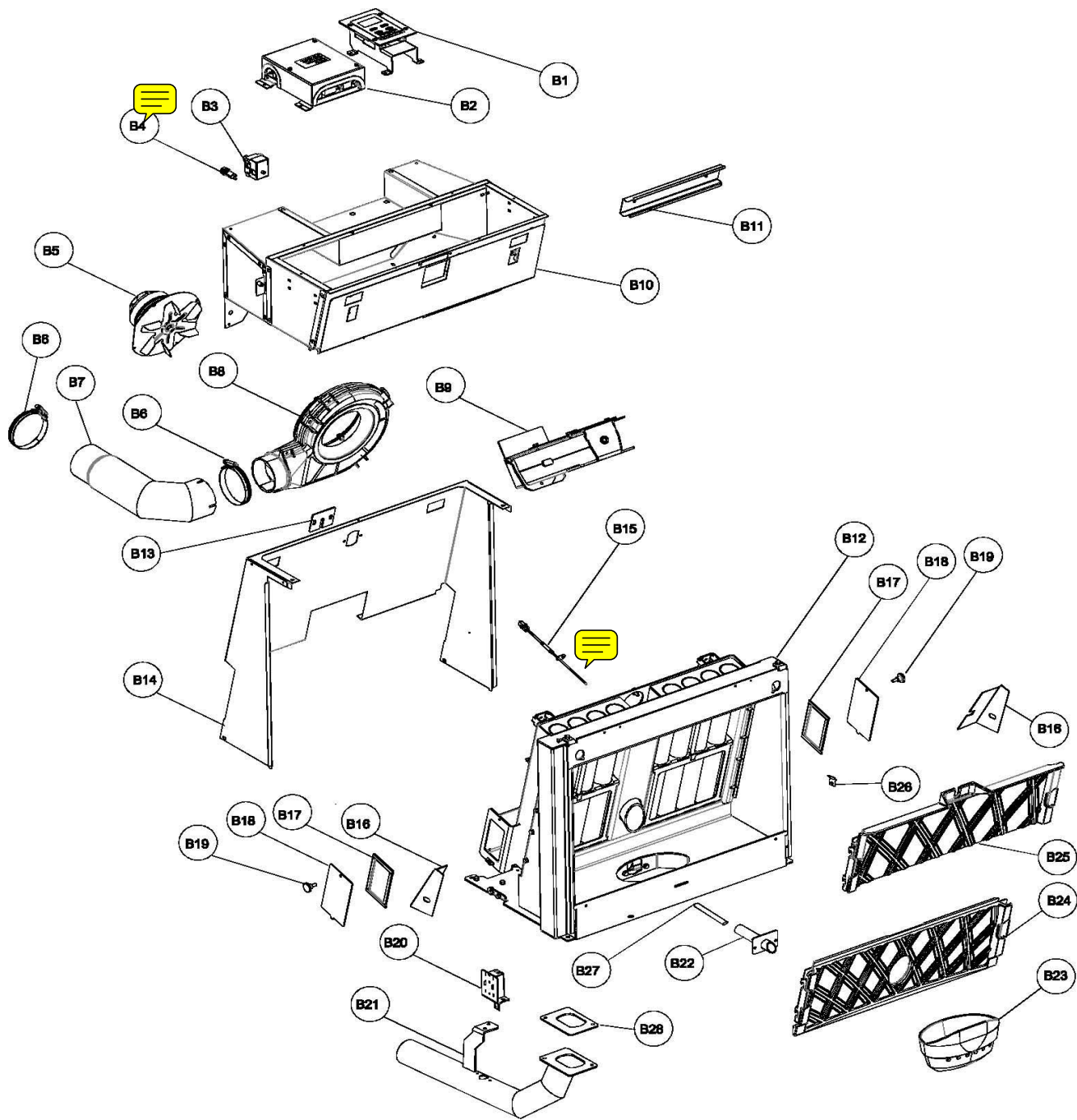


Figure 2 - Manchester 8330 Engine Assembly

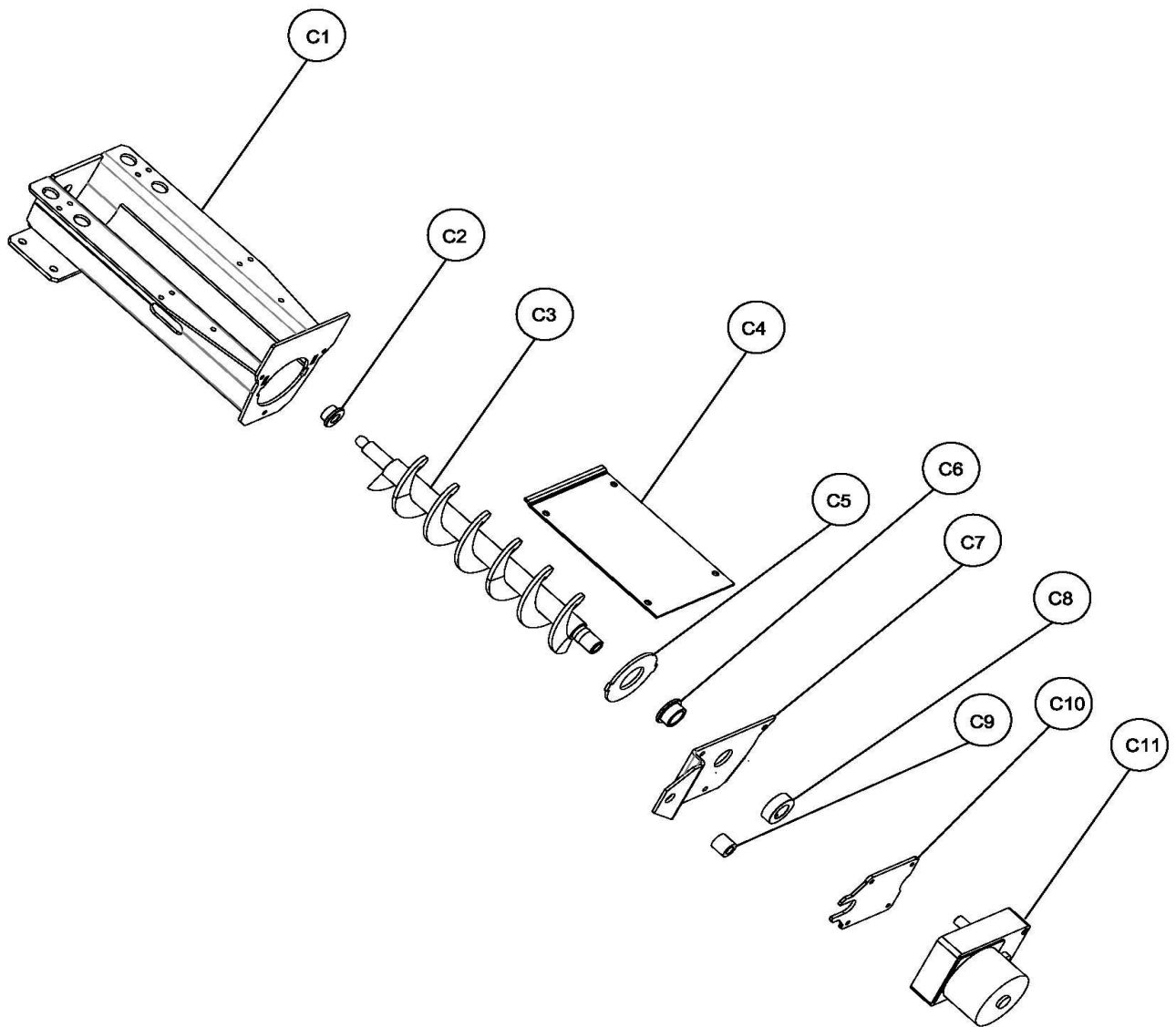


Figure 3 - Manchester 8330 Auger Assembly

Assembly C		
Key	Part Number	Description
C1	5909-305	AUGER HOUSING
C2	5000-095	SINTERED BEARING
C3	5909-310	AUGER SCREW / SHAFT
C4	5909-315	AUGER FEED UNIT LID
C5	4600-0175	AUGER ACCESS WASHER
C6	5000-096	SINTERED BEARING
C7	5909-320	AUGER MOTOR BRACKET
C8	4600-0180	AUGER SHAFT CLAMP RING
C9	7000-175	WTR/AIR HOSE
C10	5909-323	AUGER MOTOR SUPPORT
C11	7211-970	AUGER MOTOR

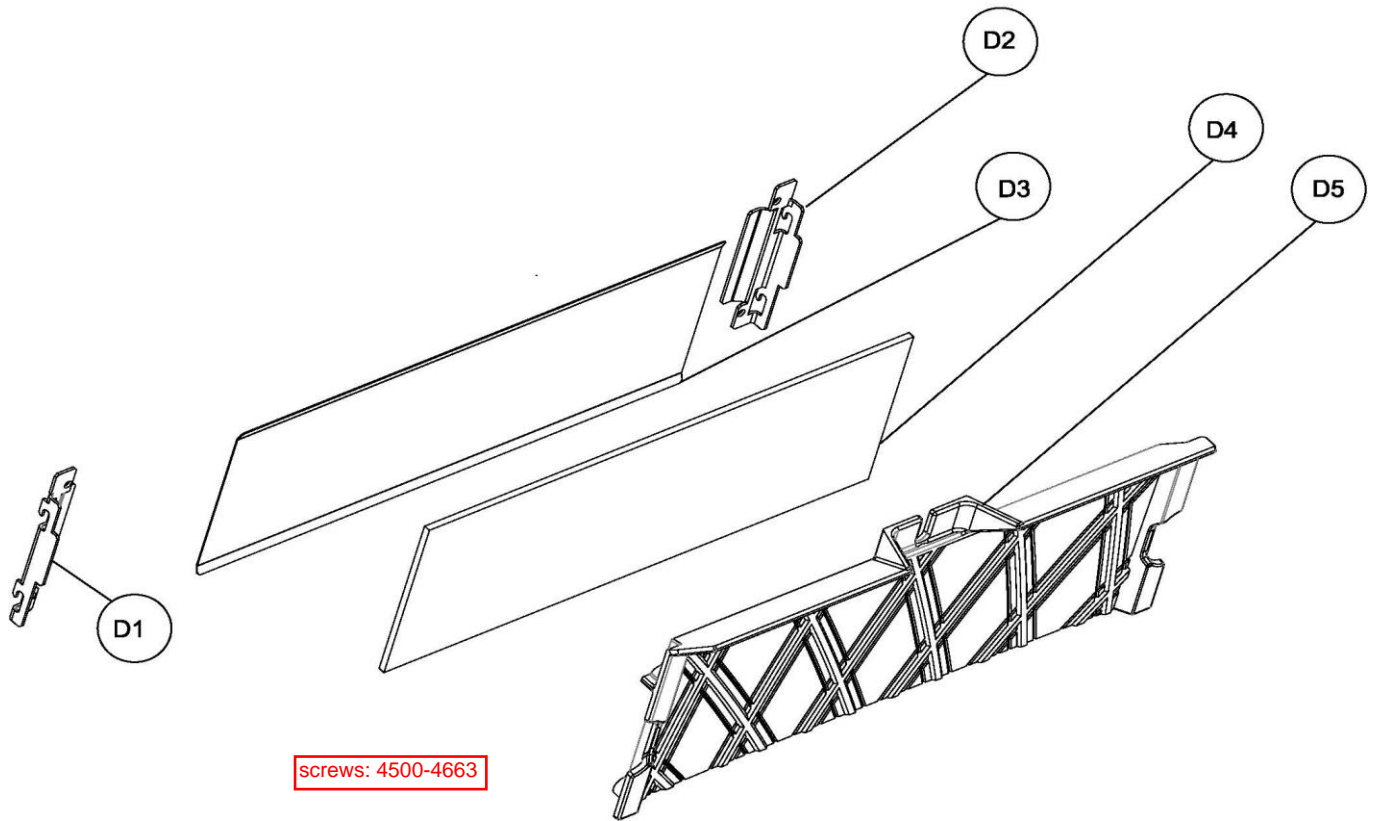


Figure 4 - Manchester 8330 Upper Baffle Assembly

Assembly D			
Key	Part Number	Description	
D1	5909-000	LEFT BAFFLE MOUNT BRACKET	
D2	5909-005	RIGHT BAFFLE MOUNT BRACKET	
D3	5909-010	UPPER BAFFLE INSULATION GUARD	
D4	3120-220	UPPER BAFFLE CERAMIC HEATSHIELD	
D5	2910-005	UPPER BAFFLE	

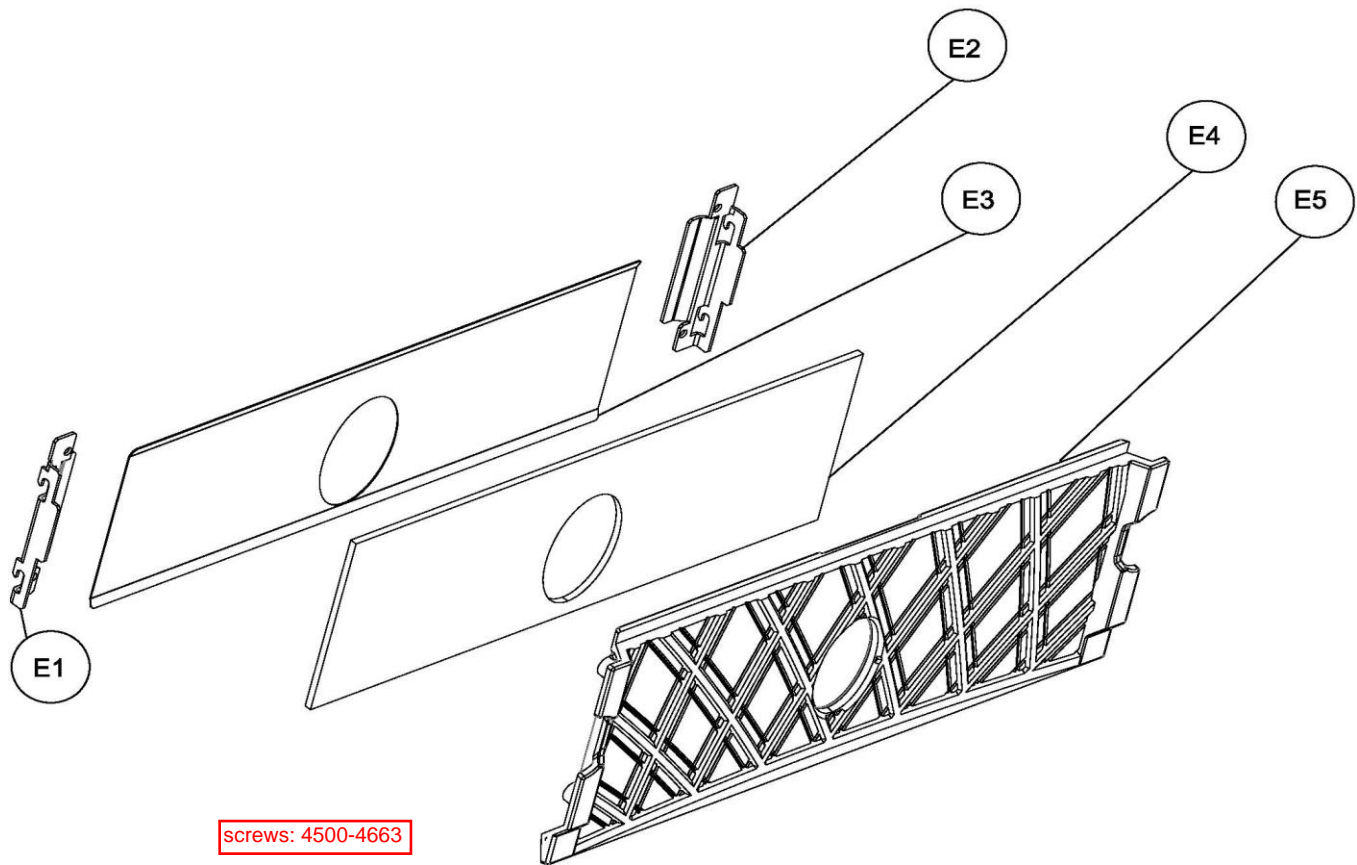


Figure 5 - Manchester 8330 Lower Baffle Assembly

Assembly E		
Key	Part Number	Description
E1	5909-000	LEFT BAFFLE MOUNT BRACKET
E2	5909-005	RIGHT BAFFLE MOUNT BRACKET
E3	5909-011	LOWER BAFFLE INSULATION GUARD
E4	3120-221	LOWER BAFFLE CERAMIC HEATSHIELD
E5	2910-010	LOWER BAFFLE

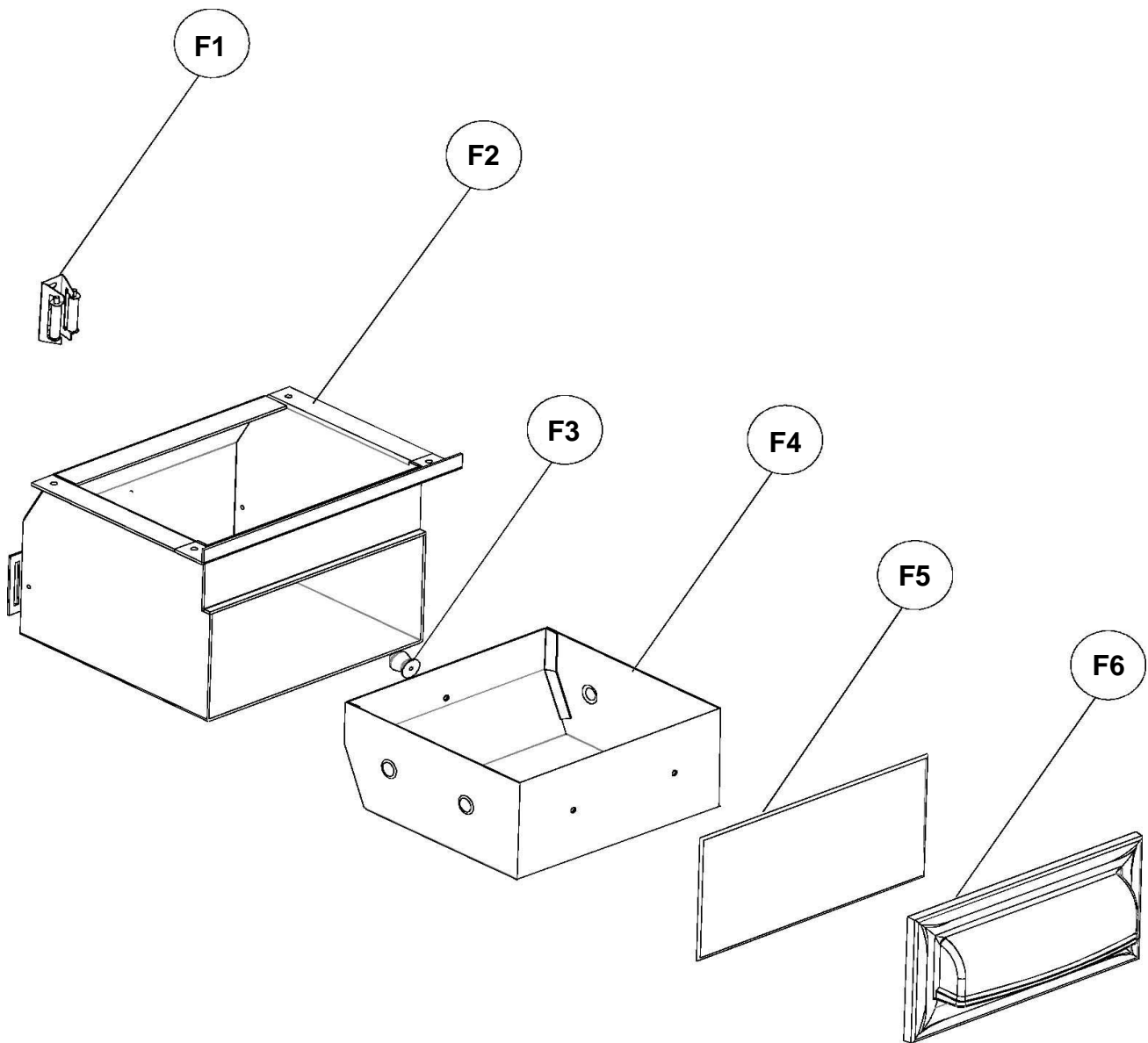


Figure 6 - Manchester 8330 Ash Drawer Assembly

Assembly F		
Key	Part Number	Description
F1	5240-145	ASH PAN CATCH SPRING
F2	5090-016	OUTER ASH BOX FRAME
F3	5240-146	ASH PAN CATCH KNOB
F4	5090-011	ASH PAN
F5	3110-057	GASKET: ROPE, 3/8", AD, NON-CORE, 2.4'
F6	2010-915	ASH DOOR: MATTE

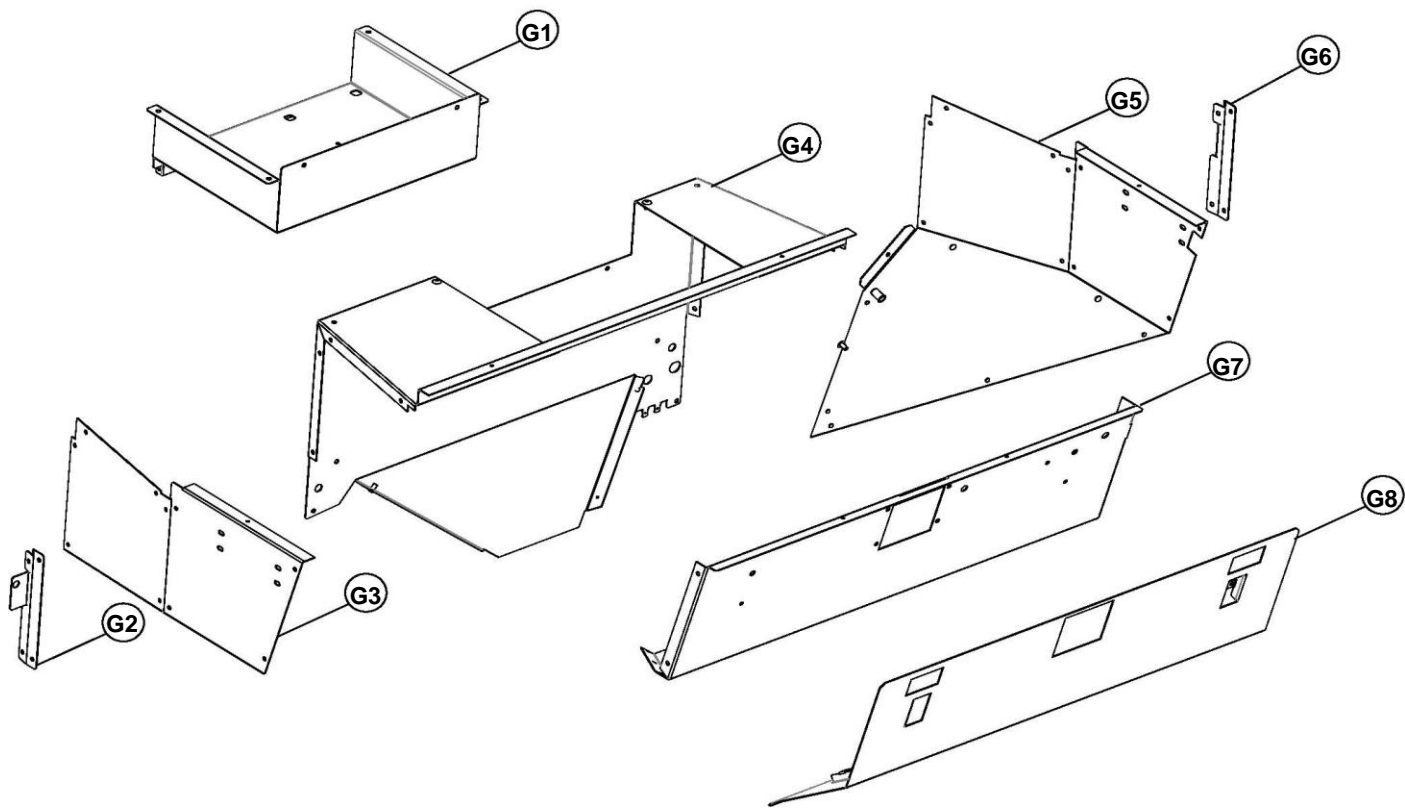


Figure 7 - Manchester 8330 Hopper Assembly

Assembly G			
Key	Part Number	Description	
G1	5909-225	HOPPER: DISPLAY BASE	
G2	5909-240	HOPPER: REAR PANEL BRACKET,FRNT/LT,PEL	
G3	5909-210	HOPPER: LEFT	
G4	5909-215	HOPPER: BACK	
G5	5909-235	HOPPER: RIGHT	
G6	5909-245	HOPPER: REAR PANEL BRACKET,FRNT/RT,PEL	
G7	5909-245	HOPPER: REAR PANEL BRACKET,FRNT/RT,PEL	
G8	5909-230	HOPPER HEAT SHIELD	

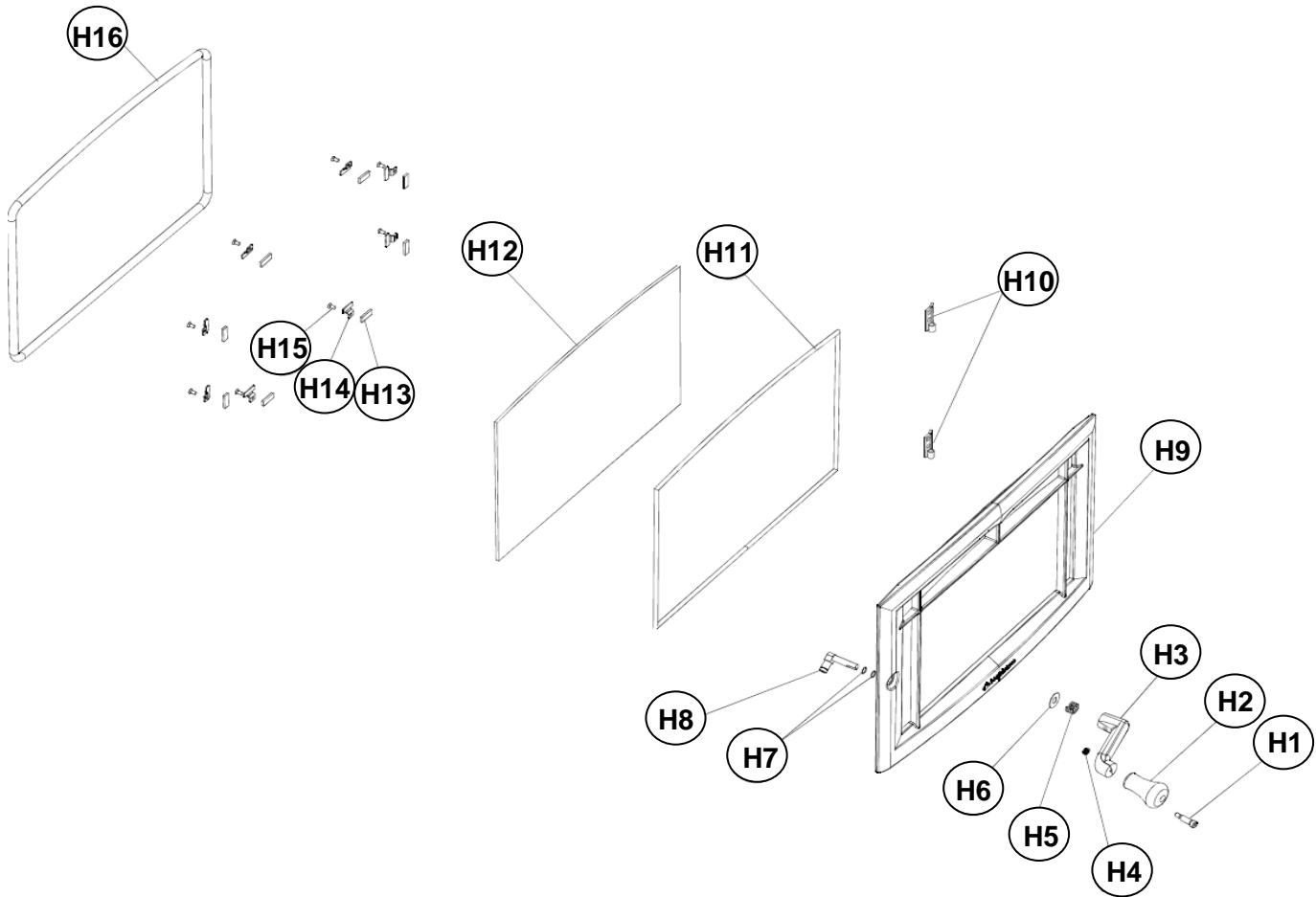


Figure 8 - Manchester 8330 Front Door Assembly

Assembly H		
Key	Part Number	Description
H1	4100-0285	SCREW: SHOULDER, 5/61"D x 3/4"L, SOCKET
H2	3900-187	HANDLE: WOOD,STAINED,FRNT/SIDE,MCP,CLY 1
H3	2310-617	HANDLE: FRONT/SIDE DOOR, MATTE, MCR
H4	4500-2976	SCREW: SET, 5/16"-18 X 3/8", HALF DOG, SOCKET
H5	5240-138	SPRING: LATCH, WOODSTOVES, 325#
H6	5021-032	WASHER: FLAT, .406"ID x 1"OD x .035"T, BLK
H7	4700-0790	SPACER; DOOR LATCH, 0.435" x 0.375" x 0.03"
H8	5491-048	FRONT DOOR LATCH
H9	2310-615	FRONT DOOR LATCH HOLDER
H10	5360-062	FRONT DOOR HANDLE: MATTE
H11	3110-056	GASKET: ROPE, 1/4",BLK,AD
H12	3030-059	GLASS: 18.64"x11.43"x5MM,MCR
H13	3120-021	GASKET: GLASS CLIP,BLACK, HER 1/TRI/BRI
H14	5021-060	CLIP: GLASS,HER 1/TRI
H15	4500-2105	SCREW: MACH,10-24x3/8",UN-CUT,FLAT,PH,
H16	3110-057	GASKET: ROPE,3/8",AD,NON-CORE

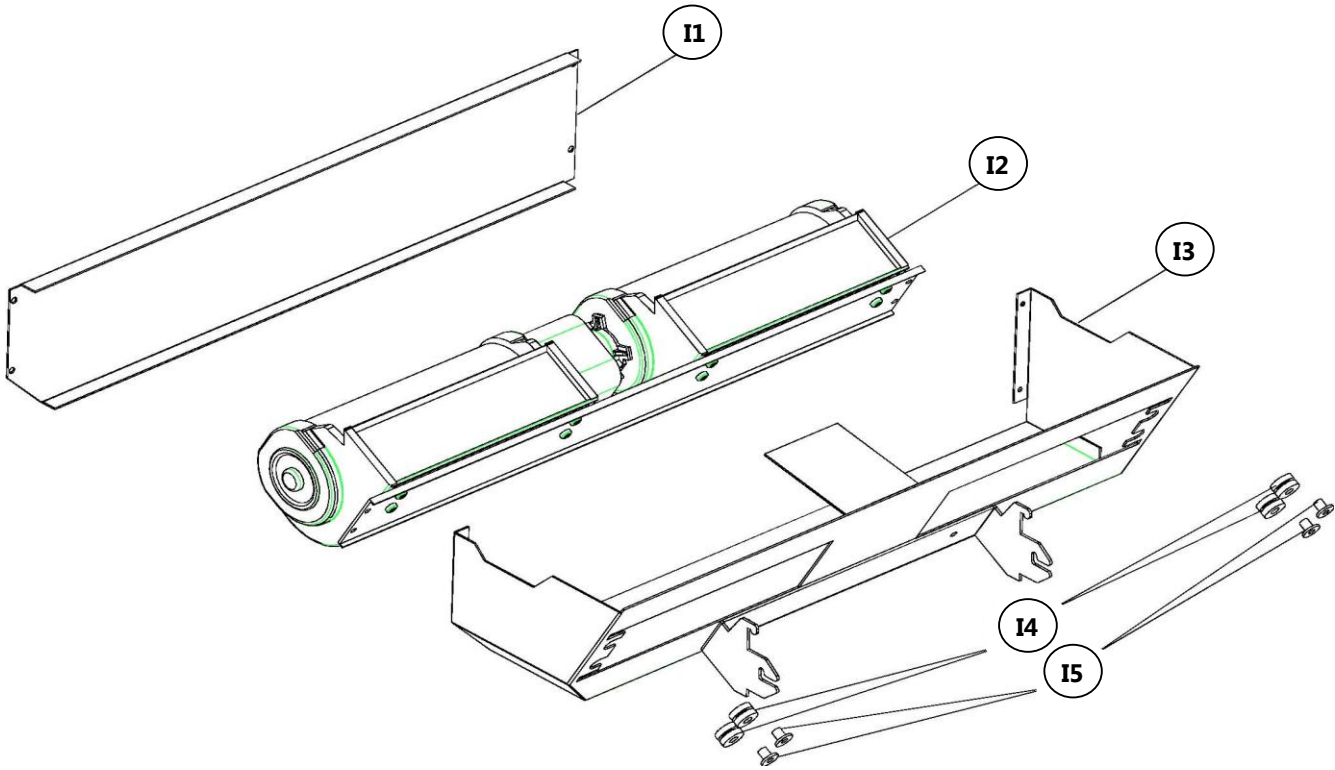


Figure 9 - Manchester 8330 Room Fan Assembly

Assembly I		
Key	Part Number	Description
I1	5909-332	SCREEN; CONVECTION FAN
I2	7211-951	FAN: BLOWER, ASSY, CONVECTION
I3	5909-331	HOUSING: CONVECTION FAN
I4	7000-130	GROMMET: SIL .45" PANEL x .25" ID, M-633
I5	7000-135	SLEEVE: .25"OD x .183"ID x .375", M-632